

The network of specialists, for **AM professionals**

INTEGR^{AM}

SurfPRO MS-SD
for **LubroCOAT**



SURF PRO MS-SD

for LubroCOAT

MS-SD LubroCOAT system	Tank nom. c.ty dm ³	Number of nozzles - SD	Dimensions max.: LxPxH mm.	Steam Generator S.S.	Colour change	N.° Filters	Recycling tank
SurfPRO-25-MS-SD	25	1	1400x1000x2100	1 with refill H2O Man.+1P	1 Pump MF+1MK	1 PF + PneuDef.	1
SurfPRO-50-MS-SD	50	1	1500x1000x2100	1 with refill H2O Man.+1P	1 Pump MF+1MK	2 Pneu Filter	1
SurfPRO-120-MS-SD	120	1	1800x1000x2200	1 with refill H2O Aut.+1P	1 Pump MF+1MK	2 PF PneuD	1
SurfPRO-120-MS-SD2	120	2	1800x1000x2200	1 with refill H2O Aut.+2P	2 Pump MF+1MK	3 PF PneuD	2

Indicative measurements - subject to change

Final extension «-WS» complete with lining wear sensor

All the above models include **final drying**, with the exception of the 25 liter model;

SURF PRO MS-SD for LubroCOAT

A RANGE OF 4
SERIES MODELS
WITH AUTOMATIC
CYCLE PHASES

WARM-UP

Dry STEAM
LubroCOAT

DRAIN-OFF

DRYING

SURF PRO Multi STEP-Steam Dyeing

BEST LUBRICANT COATING IS SUPPORTED BY AN AUTOMATIC CLEANING PROCESS OF THE PROCESS MEDIA, THAT CAN ALSO BE USED AS PRE-LUBRI-COATUNG OR SMOOTHING

GEL-SMOOTHING

Steam CLEANING

RINSING

DRYING

All SurfPRO MS-SD LubroCOAT systems offered by IntegrAM can work on charges of ELASTOMER OR POLYMER components combined with special QF finishing vector "media" which allow three-dimensional movement inside the working tank.

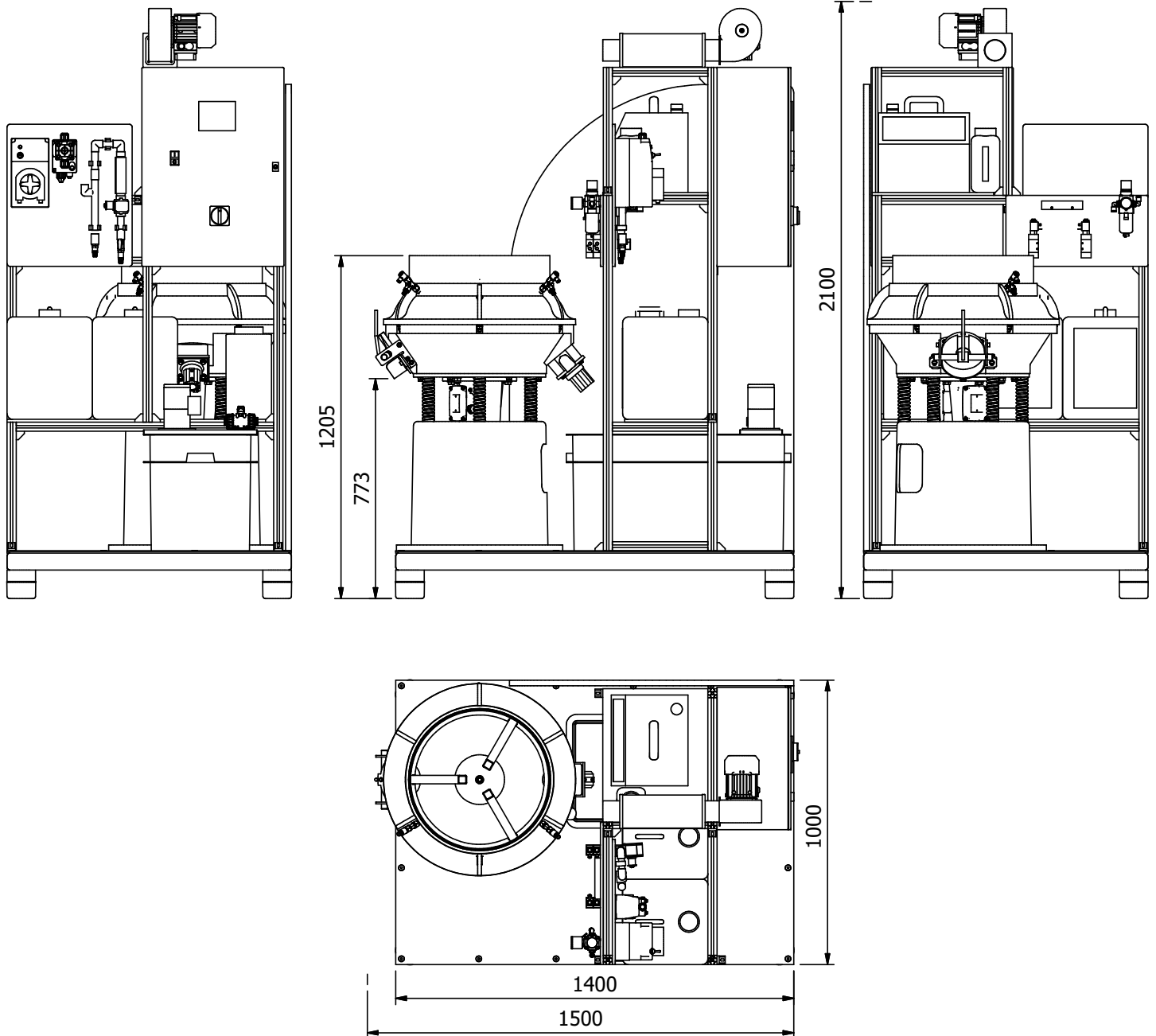
The use of QF «media» ensures evenly distributed LUBRICANTS and an «elastic» anti-shock action on the components to be LubroCOATED

Thanks to the union of steam and special LUBRICANTS, formulated by the most popular specialistic manufacturers, the LubroCOAT process (Techno Surface patent) allows you to have top efficiency and automation in the LubroCOAT application in massive quantities.

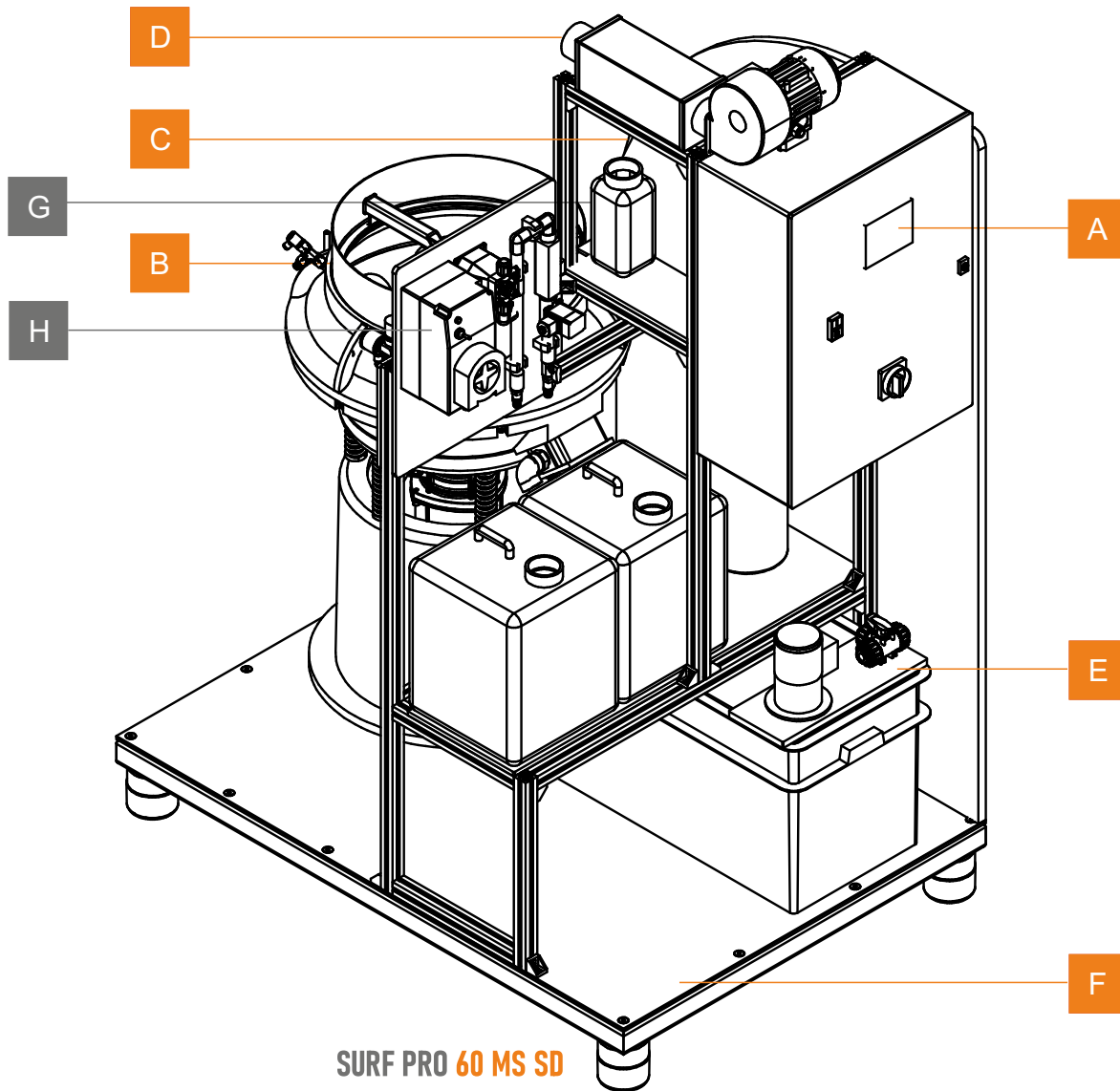
SURF PRO MS-SD

for Lubro-COAT

INTEGR^{AM}



The **SURF-PRO** finishing machines series is based on pre-assembled compositions on technological pallets easy to place and with the prerogative of being **PLUG & PLAY**. Depending on the preferences of the end user, the type of location in which the finishing machine is addressed or just the expected budget, all SURF-PRO machines can be supplied in the basic version or with an «AM» cabin. All basic machines are equipped with a colour touch screen HMI interface, but those with an «AM» cabin have a larger panel, ideal to manage recipes based on multiple types of «AM» processes. The SURF-PRO MS-SD LubroCOAT line matches the vibratory finishing unit with a steam boiler and specific accessories for LubroCOATING processes - assisted by Dry Saturated SEAM, in a Multi Step Automatic process.



SURF PRO 60 MS SD

In the above picture you can see an example of **IntegrAM** medium capacity machine (60 nominal litres, 36 real litres), model **SurfPRO 60 MS SD** with:

[A] HMI Touch Screen to manage the programs and the recipes; [B] 60L vibratory bowl with lid suitable for steam and hot air drying; [C] Boiler for dry saturated steam; [D] Hot air blower for drying; [E] Recycling tank with three-way control valve and electro-pump; [F] Technological pallet to support the pre-assembled and plug & play plant; [G] **LIQUID LUBRICANT** container; [H] Dosing station for 1 gel compound and 1 liquid chemical compound, with water control by means of solenoid valve and flowmeter;

IntegrAM is available for demonstration dyeing tests;

SURF PRO MS-SD

for Lubro-COAT

INTEGR^{AM}



LUBRO **COAT**

PATENT PENDING
PATENT PENDING
PATENT PENDING

SURF PRO MS-SD for LubroCOAT



SURF PRO MS-SD

for **Lubro-COAT**



The network of specialists, for **AM professionals**

INTEGR^{AM}

SurfPRO MS-SD
for **LubroCOAT**

This brochure is for guidance only. Its content can change depending on the development of the product.

#0124-LubroCOAT-I-AM_CA[uk]

UK

IntegrAM

The network of specialists, for **AM professionals**

The IntegrAM program and network are coordinated by:

Techno Surface Sas - Office and Warehouse:

Via Roccolo Aldè 1, 23811 Ballabio (LC) - Italy

Tel. IntegrAM: +39 349 29 23 689

e-mail: integram-team@gmail.com

web: <https://integram.eu>

INTEGR^{AM}